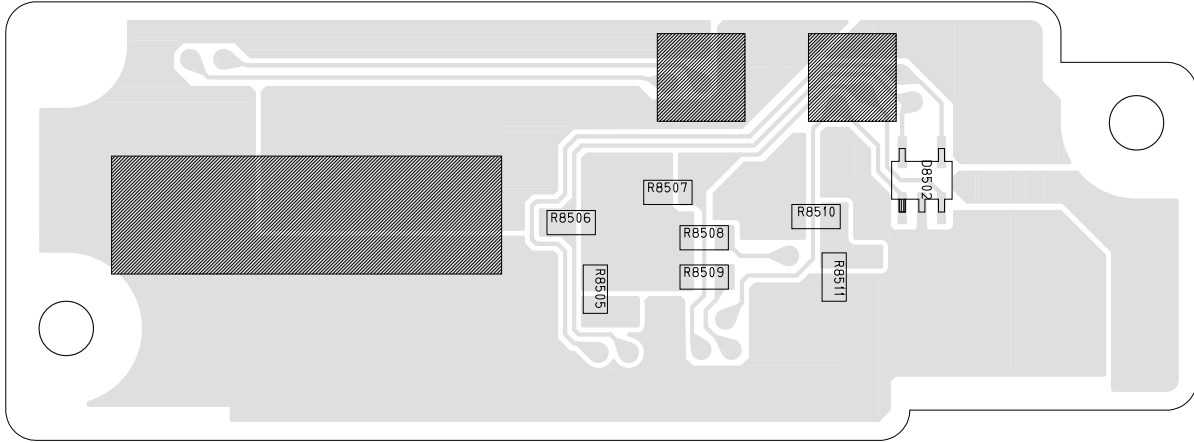


SECTION 4 CHARTS AND DIAGRAM

4.1 JUNCTION CIRCUIT BOARD

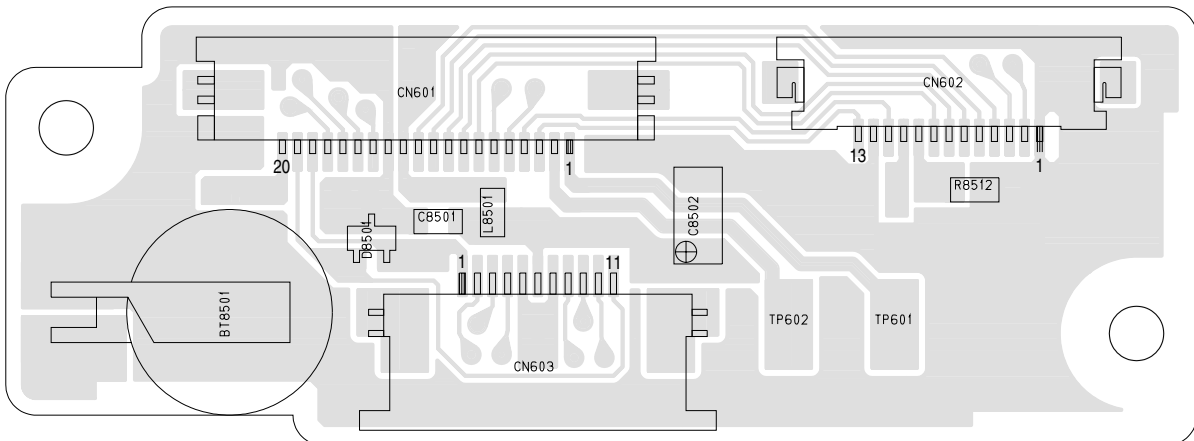
06 JUNCTION PWB
YB10323-01-02

FOIL SIDE(B)



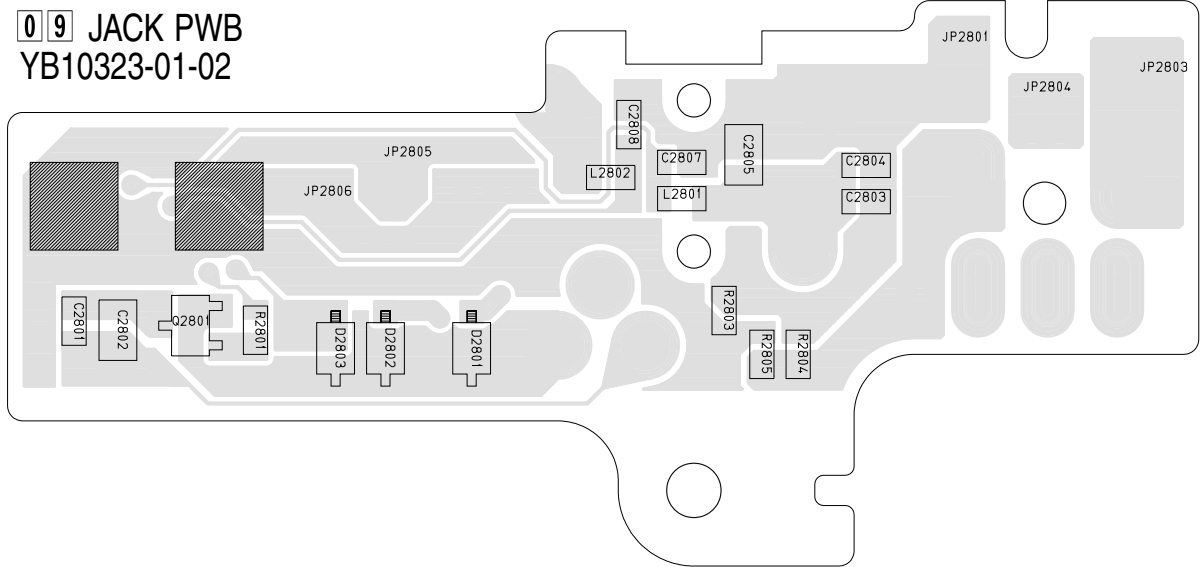
COMPONENT SIDE(A)

06 JUNCTION PWB
YB10323-01-02



4.2 JACK CIRCUIT BOARD

FOIL SIDE(B)



COMPONENT SIDE(A)

